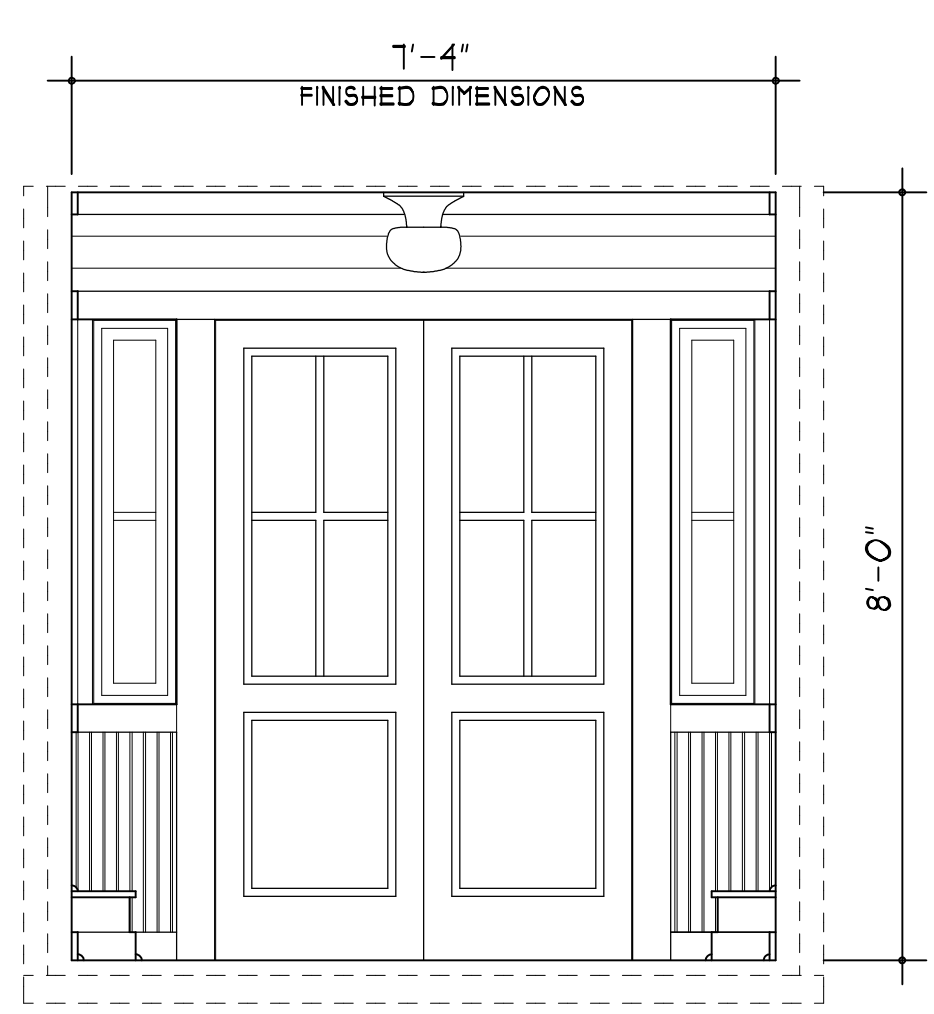
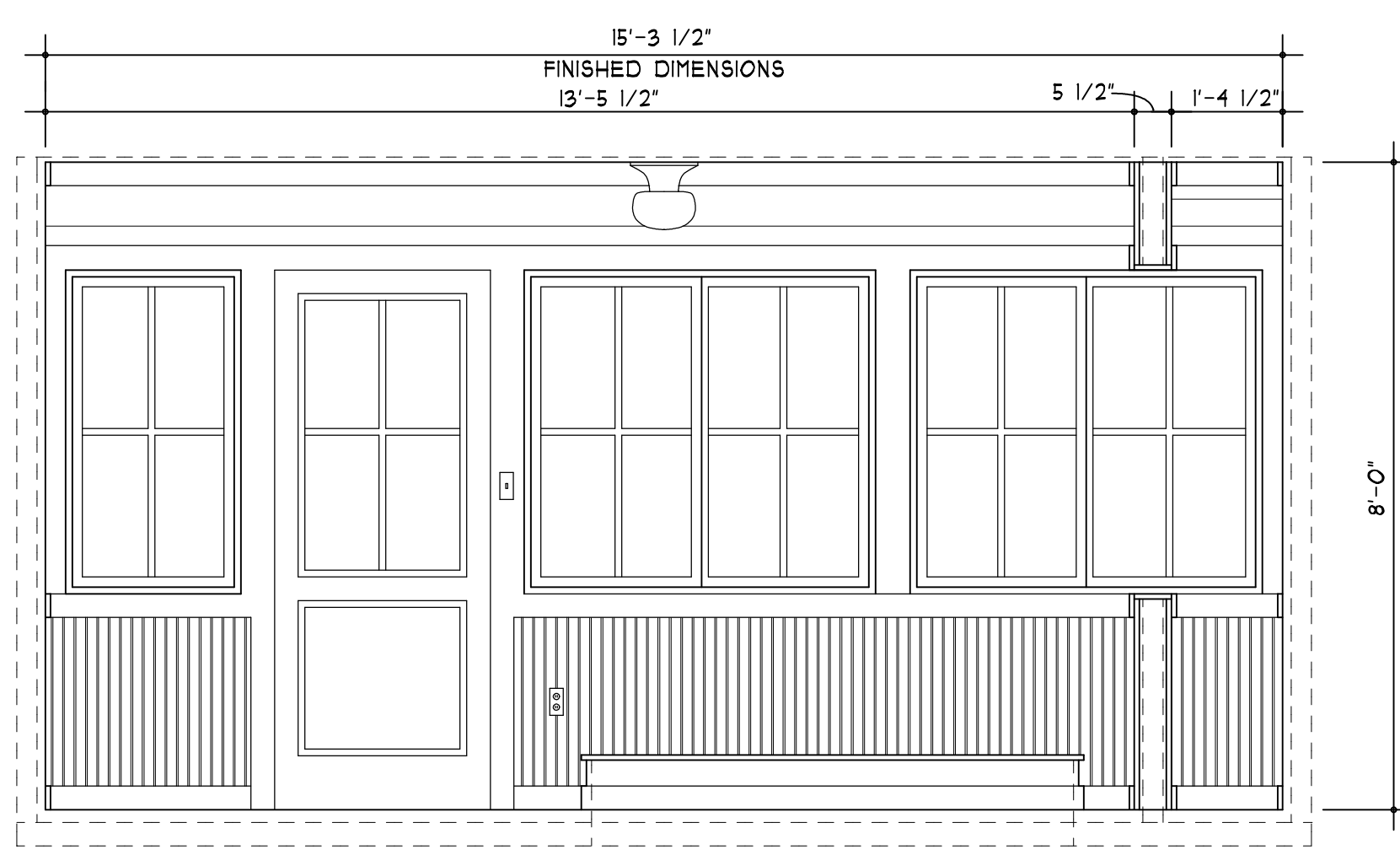


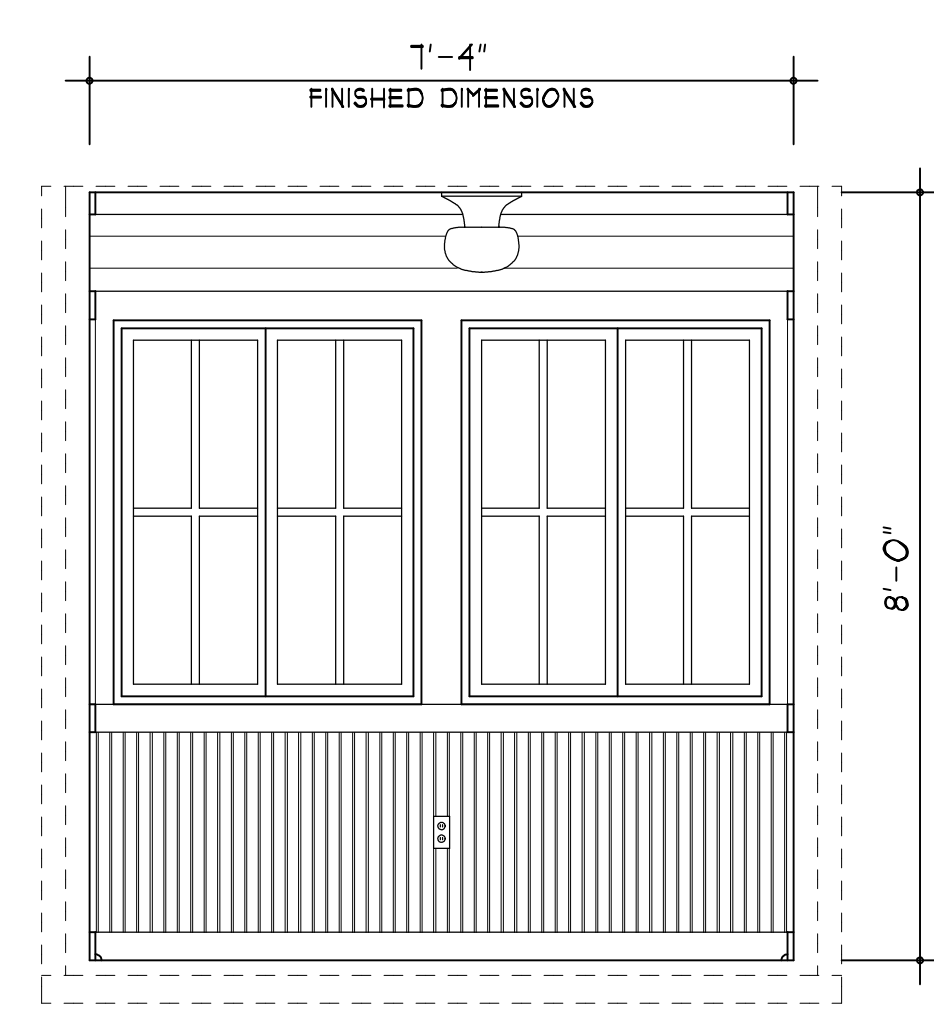
REVISIONS	
03 . 07 . 18	
04 . 03 . 18	
04 . 30 . 18	



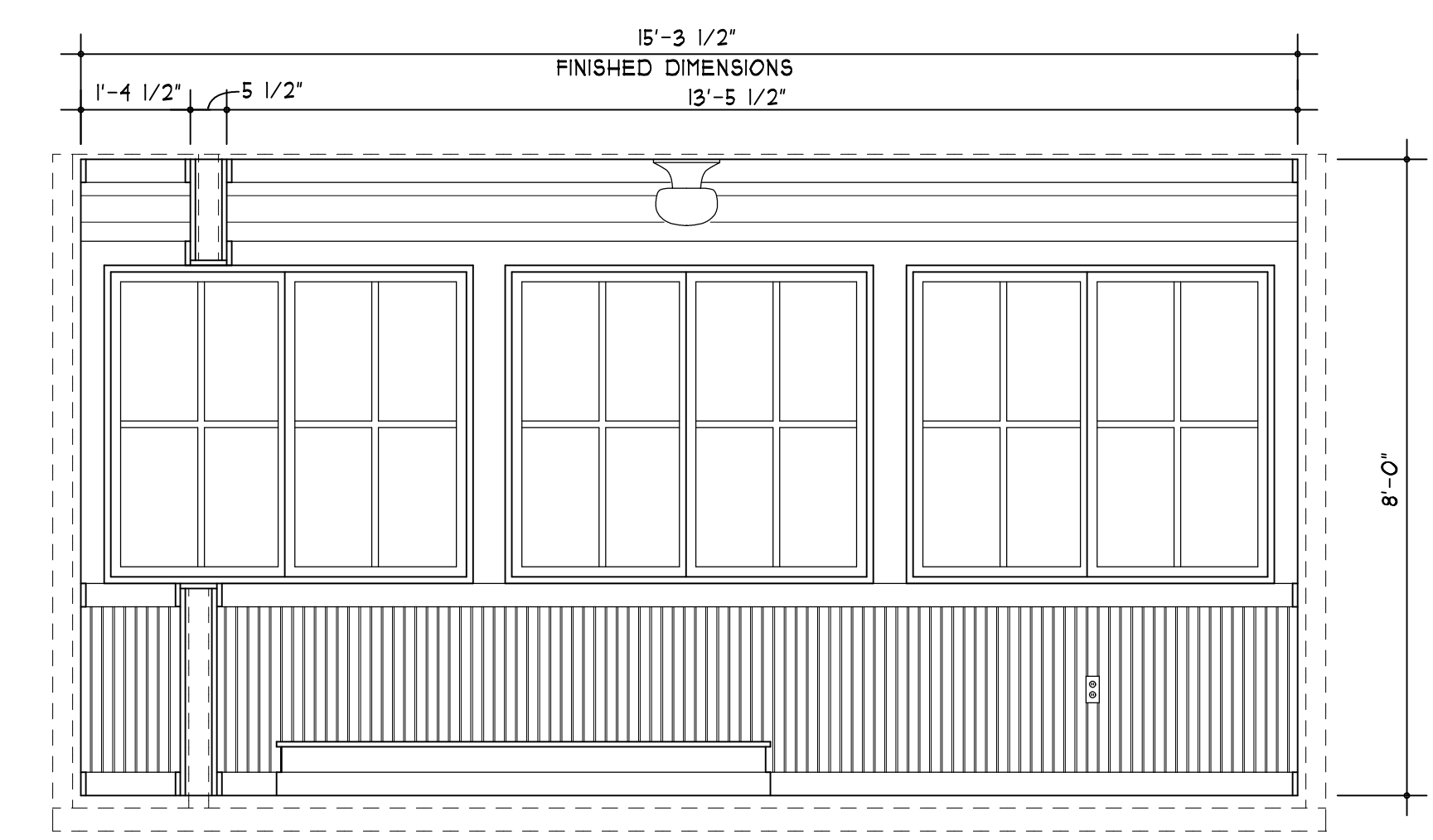
HANDICAP LIFT END - INTERIOR



MAIN ENTRY SIDE - INTERIOR



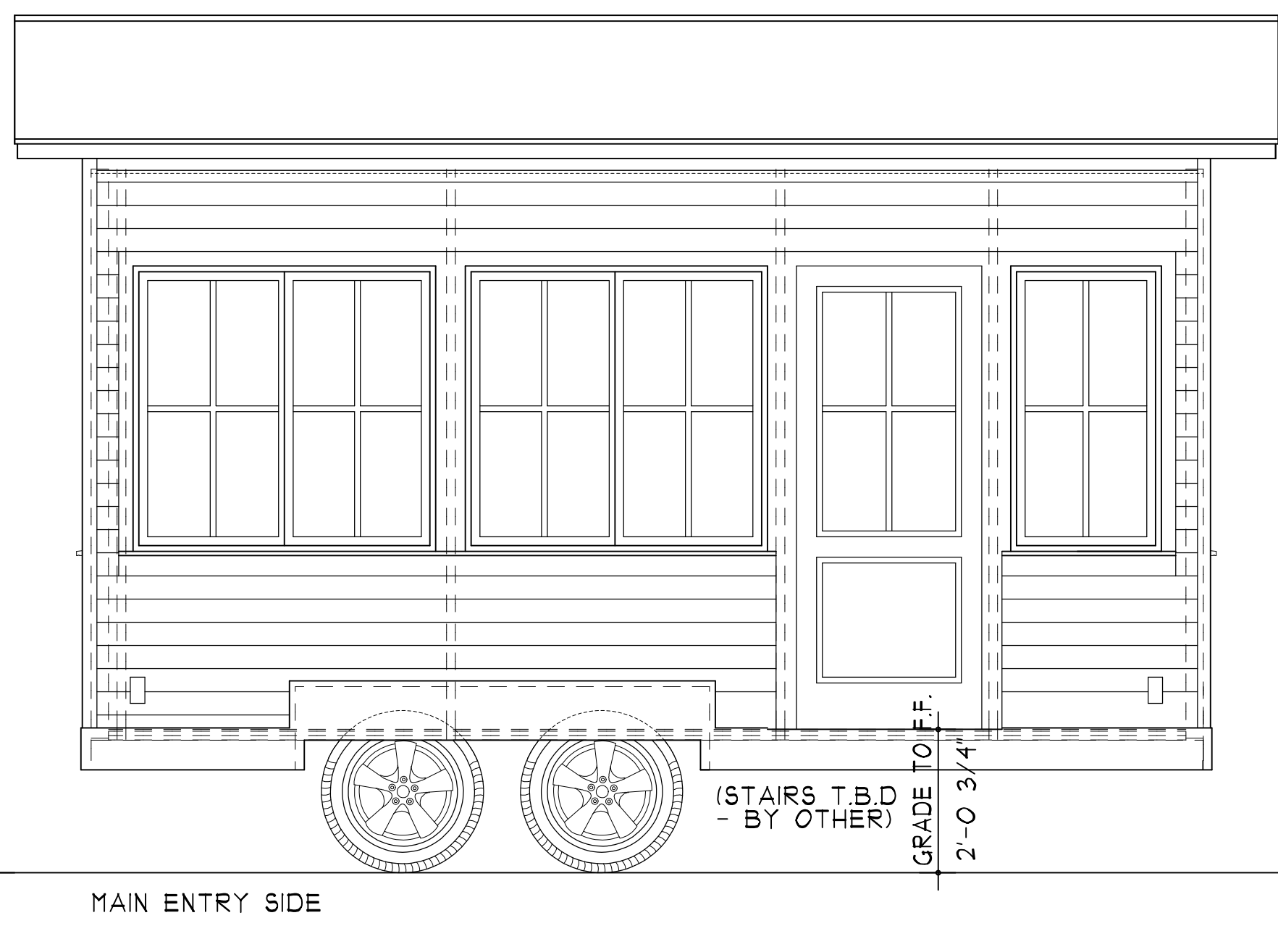
HITCH END - INTERIOR



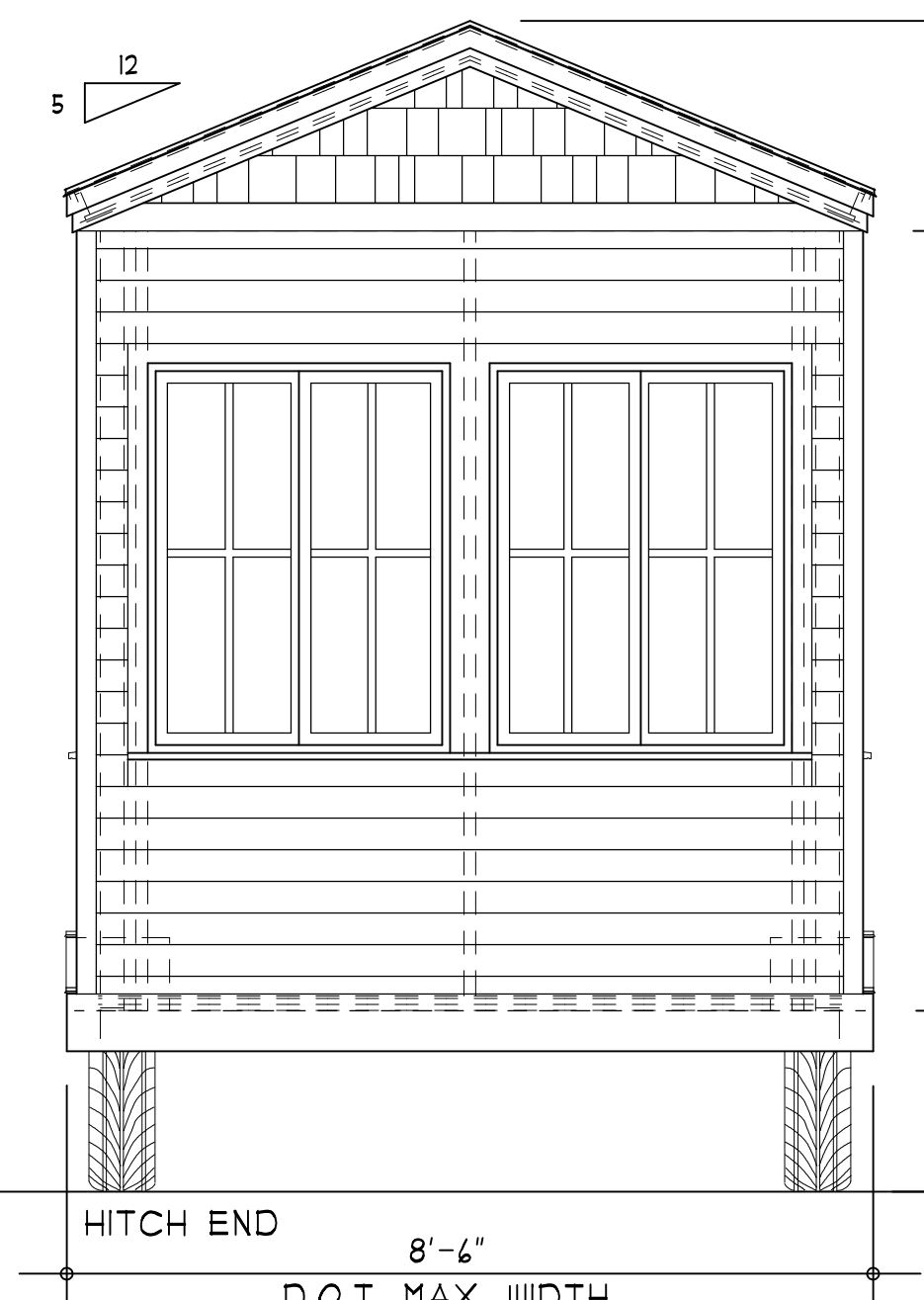
NON-DOOR SIDE - INTERIOR



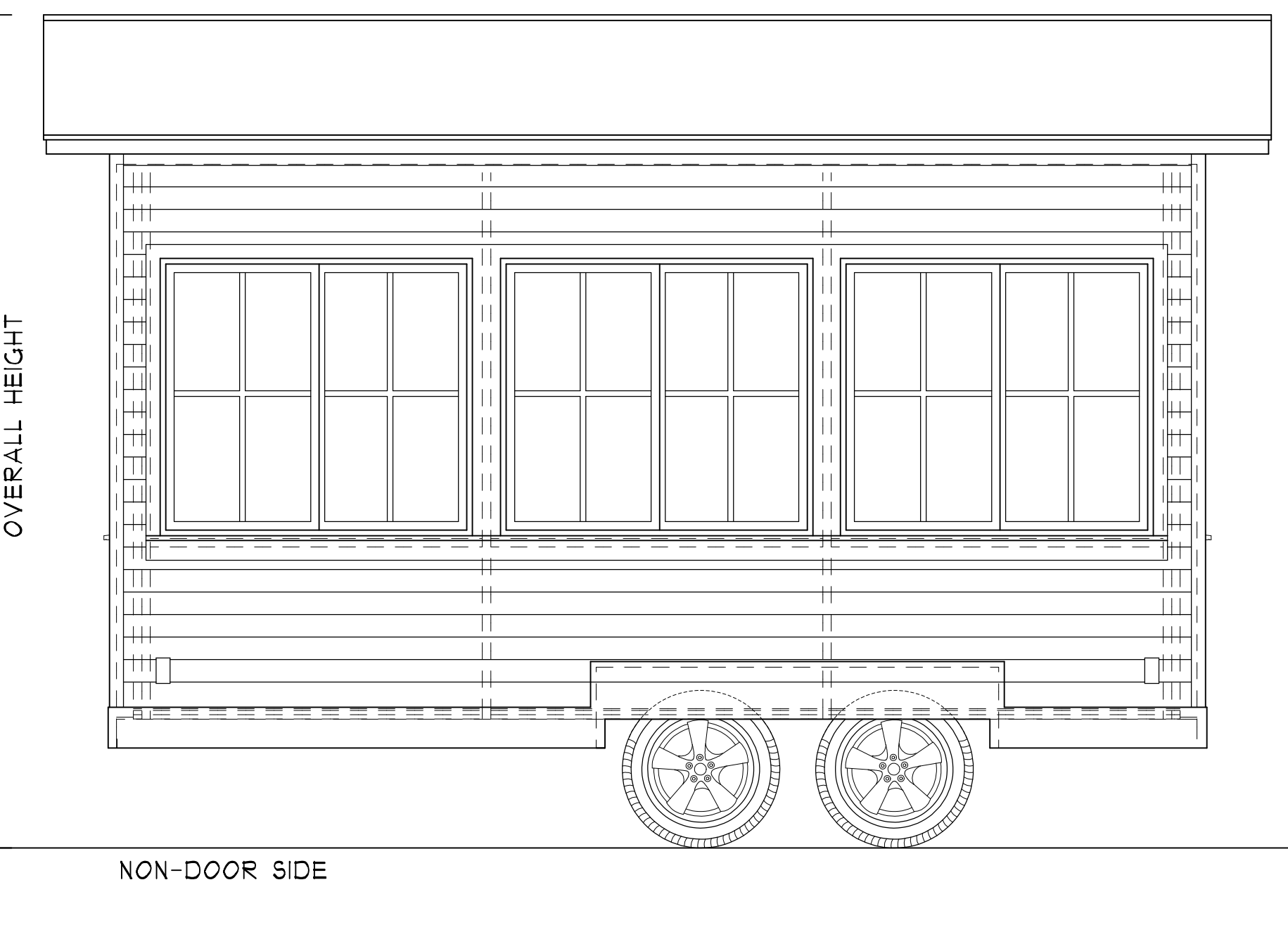
EXTERIOR ELEVATIONS



MAIN ENTRY SIDE

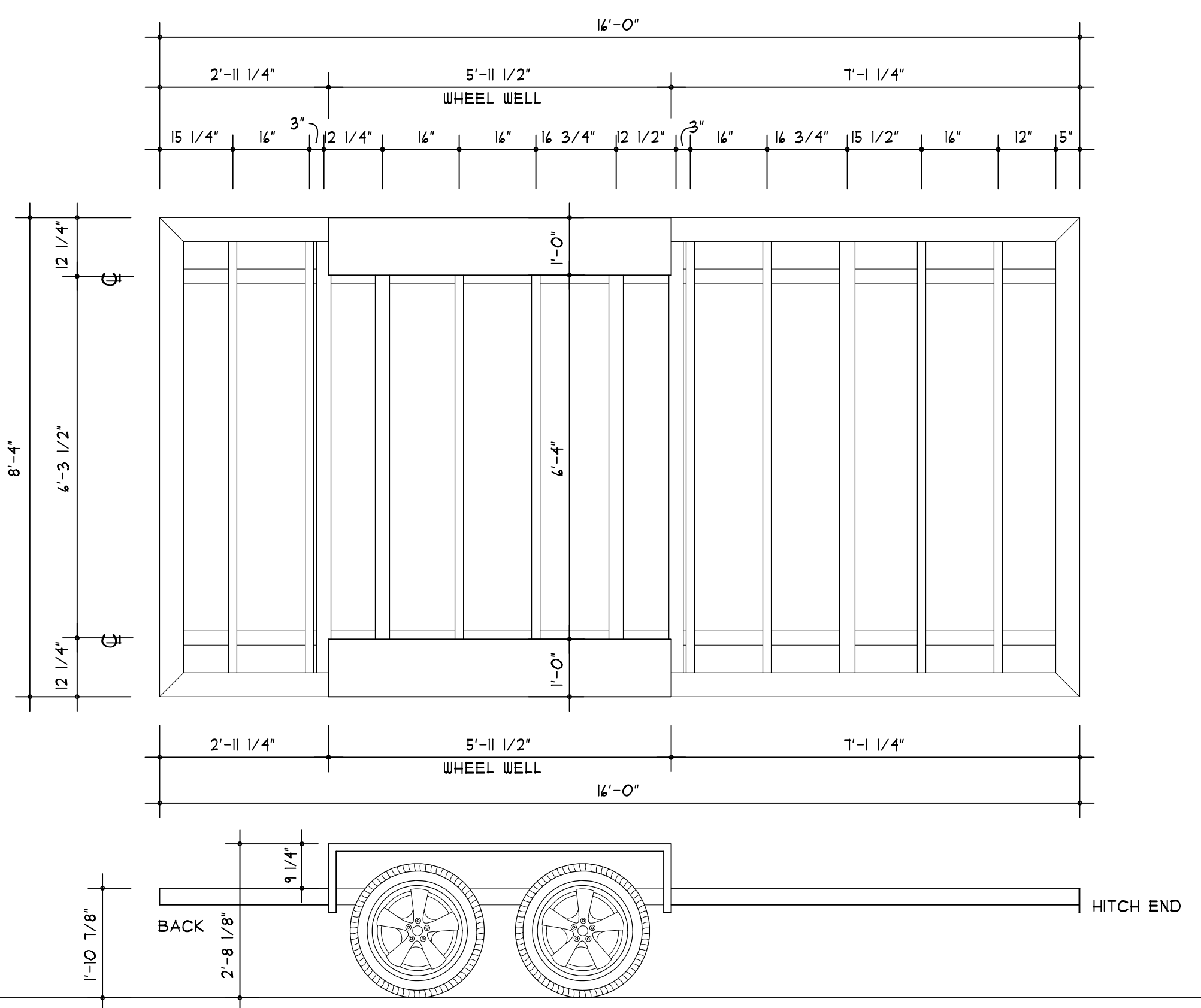


HITCH END



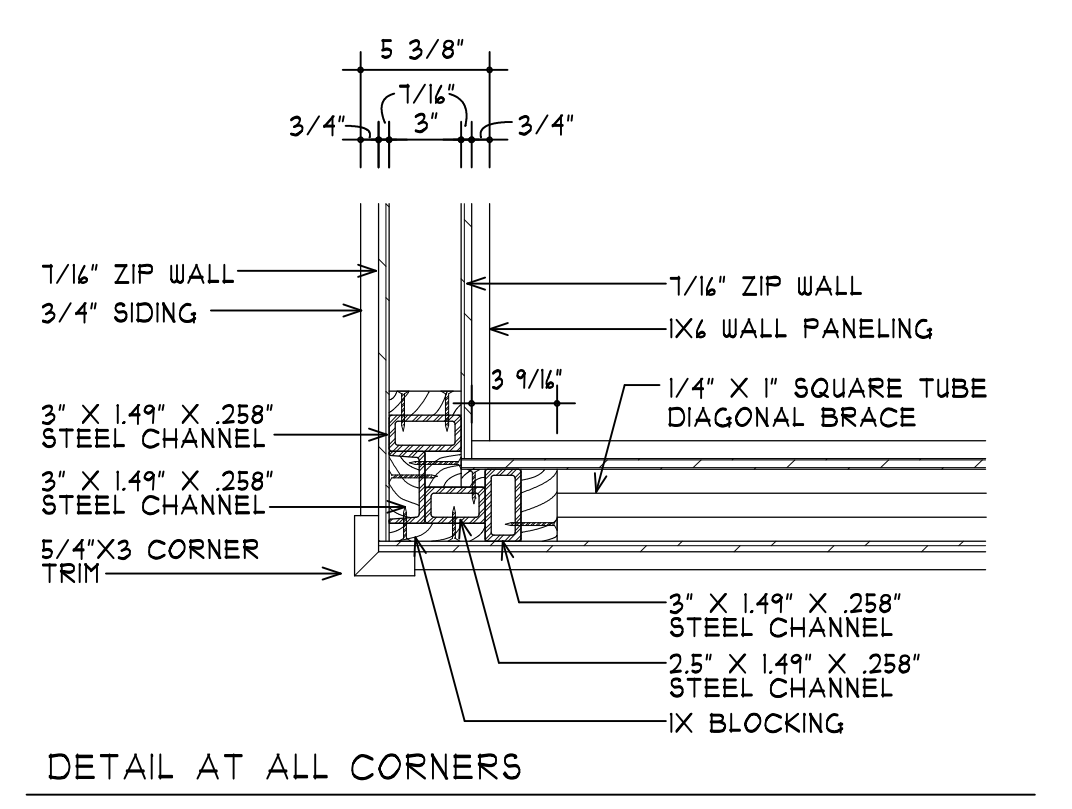
NON-DOOR SIDE

1/2" = 1'-0"



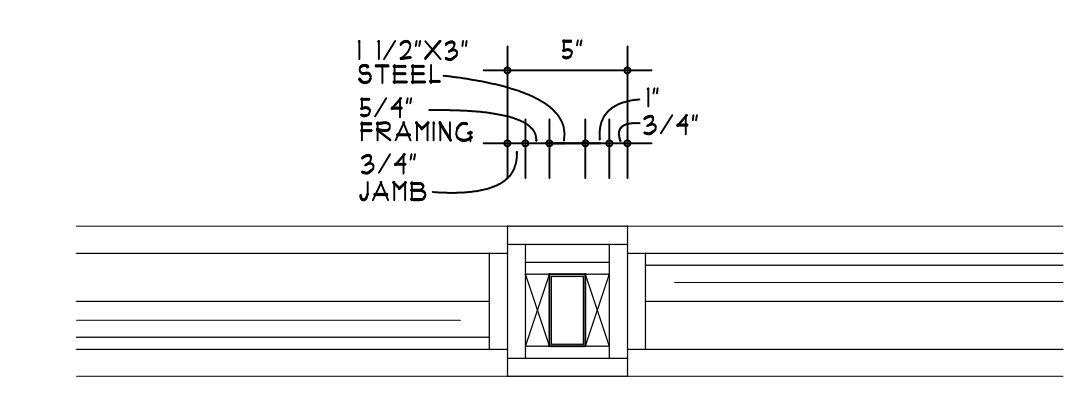
TRAILER DETAIL

1/2" = 1'-0"



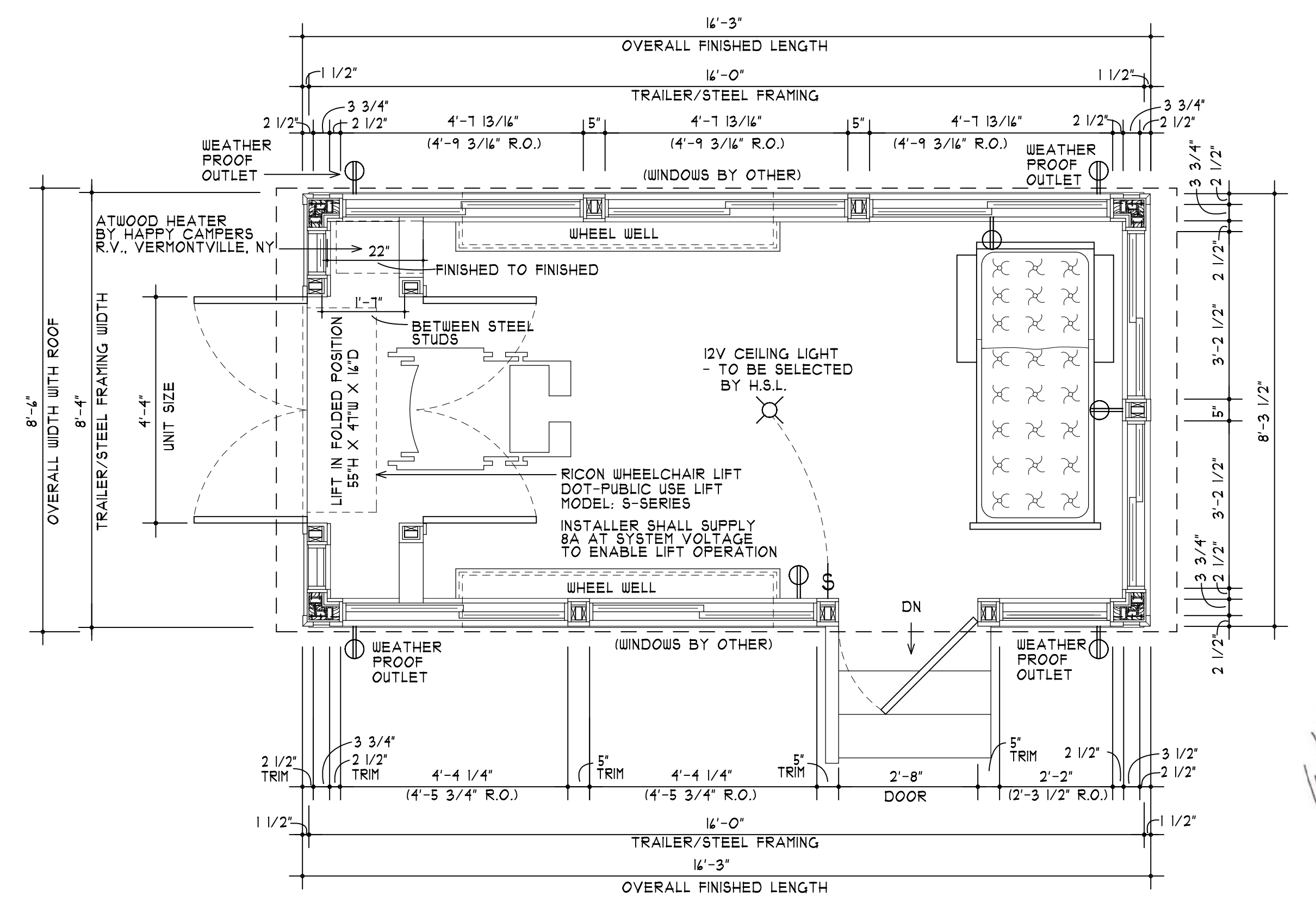
DETAIL AT ALL CORNERS

1/2" = 1'-0"



DETAIL BETWEEN WINDOWS

1/2" = 1'-0"



FLOOR PLAN/WINDOW AND DOOR LAYOUT

1/2" = 1'-0"

(DIMENSIONS TO BE VERIFIED AFTER STEEL FRAMING)



DRAWN BY: MAK
 CHECKED BY: WL
 DATE: 9.08.17
 SCALE: AS NOTED

DD-1

ENGINEER STAMP APPLIES TO STRUCTURAL ELEMENTS ONLY.

HISTORIC SARANAC LAKE - CURE PORCH ON WHEELS
 89 CHURCH STREET, SARANAC LAKE, NY 12983